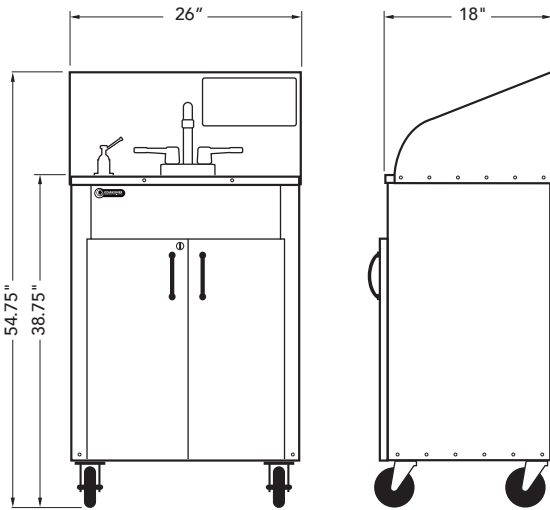


## ELITE PRO 1

Our Elite PRO 1 self-contained, portable, hot water, handwashing sink has certainly found its flow with added splashguard and M-Fold Towel Dispenser. This one-stop hand hygiene station is NSF-certified and out-of-the-box ready, so your workspace and sanitation sanity are kept intact.

Food-safety-grade stainless countertops, cabinets, and single sink basin with built-in, top-fill soap dispenser are just the kind of durable help high-volume, compact spaces call for. Keyless locking white/black doors with white/black edging combinations keep your quick-connect water tanks safe and ready for the shift ahead. Go ahead, flip over that 'NOW OPEN' sign with handwashing code-compliant confidence.



## ESPRWW-SS-SS1N

<b>Model Name</b>	<b>Elite PRO 1</b>
<b>NSF Certified</b>	Yes
<b>LivingGreen Certified</b>	Yes
<b>SACERS Rating</b>	12, 3.4, 5.1, 5.2
<b>CARB 93120 Phase 2</b>	Yes
<b>Electrical Requirements</b>	110V, 20A Dedicated Outlet and Breaker
<b>On-Demand Hot Water</b>	Approx. 40°F Above Water Temperature
<b>GPM</b>	0.50
<b>Approx Handwashings</b>	45-60 (5 gallon tank)
<b>Product Dimensions</b>	26"W x 18"D x 54.75"H
<b>Product Weight</b>	103 lbs.
<b>Basin</b>	Single Stainless Steel
<b>Basin Dimensions</b>	12" W x 10" L x 5.75" D
<b>Countertop Material</b>	Stainless Steel
<b>Cabinet Material</b>	Stainless Steel
<b>Door Material</b>	Melamine with 3MM Edgeband
<b>Door Color</b>	White with White Edging
<b>Fresh Water Tank</b>	5 Gallon Capacity, FDA Approved
<b>Waste Water Tank</b>	6 Gallon Capacity, FDA Approved
<b>Faucet Style</b>	ADA Compliant Wrist Action Handles
<b>Door Lock</b>	Keyless
<b>Soap Dispenser</b>	Liquid Only, Countertop Mount
<b>Cabinet Wheels</b>	5" Front Locking/Swivel Casters
<b>Warranty</b>	2 Year

### Minimum Operating Requirements

- Each sink must use a grounded, dedicated 110V, 20A circuit breaker
- Sinks must be used on a dry, level indoor surface
- Extension cord must be 12/3, rated at 20A or higher
- Water must meet EPA standards (PH between 7.0 and 9.0)

- BEAUTY + WELLNESS
- FOOD SAFETY
- HEALTHCARE
- RETAIL



**IMPORTANT!**  
Consult with your state and local environmental health official to confirm usage of portable sinks in place of plumbing.

**GREATER NASHVILLE AREA**  
call 1.866.663.1982  
[OzarkRiver.com](http://OzarkRiver.com)