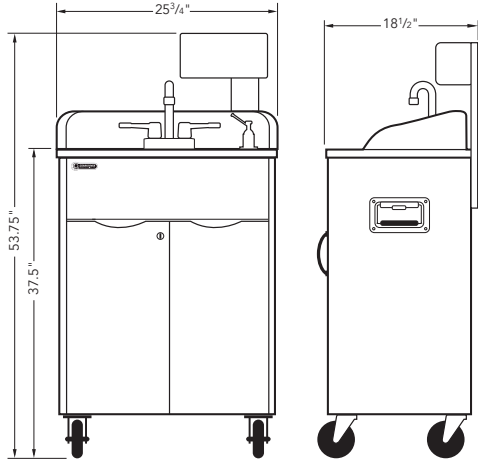


TITAN PRO 1K

Our Titan PRO 1 self-contained, portable, hot water, handwashing sink is the heavy-duty, rough and tumble point-of-contact handwashing companion that adapts to any indoor and outdoor environment. Out-of-the-box ready and NSF-certified, this model is engineered with convenience and user ease in mind with its sturdy side handle and non-intrusive, paper-towel holding forearm.

A one-piece, integrated ABS black countertop and single sink basin with top-fill soap dispenser is supported by easily cleaned, stainless steel and UV-resistant, HDPE black doors that store your quick-connect tanks and hot water system. 5-gallons of on-demand, economical, hot water handwashing keep public health and safety at the forefront of any public event, disaster relief, food service, construction site, and anything else you can throw its way.



TSPRW-ABK-AB1N

Model Name	Titan Pro 1K
NSF Certified	Yes
LivingGreen Approved	Yes
SACERS Rating	12, 3.4, 5.1, 5.2
Electrical Requirements	110V, 20A Dedicated Outlet and Breaker
On-Demand Hot Water	Approx. 40°F Above Water Temperature
GPM	0.50
Approx Handwashings	45-60 (5 gallon tank)
Product Dimensions	25.75"W x 18.50"D x 53.75"H
Product Weight	108 lbs.
Basin	Single Integrated ABS Plastic
Basin Dimensions	12" W x 10" L x 5.75" D
Countertop Material	Integrated ABS Plastic
Cabinet Material	Stainless Steel / Black HDPE Plastic
Paper Towel Dispenser	M-Fold
Fresh Water Tank	5 Gallon Capacity, FDA Approved
Waste Water Tank	6 Gallon Capacity, FDA Approved
Faucet Style	ADA Compliant Wrist Action Handles
Door Lock	Keyless
Soap Dispenser	Liquid Only, Countertop Mount
Cabinet Wheels	5" Front Locking/Swivel Casters
Warranty	1 Year (see warranty for details)

Minimum Operating Requirements

- Each sink must use a grounded, dedicated 110V, 20A circuit breaker
- Sinks must be used on a dry, level surface
- Extension cord must be 12/3, rated at 20A or higher
- Water must meet EPA standards (PH between 7.0 and 9.0)

- **BEAUTY + WELLNESS**
- **EDUCATION + CLASSROOM**
- **FOOD SAFETY**
- **HEALTHCARE**
- **RETAIL**



Spring Loaded Recessed Handle for Simple Storage (White shown)

Paper Towel Dispenser (White shown)

Simple to Install Kit (White shown)

IMPORTANT!
Consult with your state and local environmental health official to confirm usage of portable sinks in place of plumbing.

GREATER NASHVILLE AREA

call 1.866.663.1982

OzarkRiver.com