

# Premier with ABS Countertop and Basin

## Hot Water Portable Hand Wash Sink



Integrity Distribution LLC • 1-866-663-1982 • www.OzarkRiver.com

### Quick Guide

#### Use and Applications

Ozark River Portable Sinks® are designed to assist individuals and businesses comply with hand washing codes and regulations by placing hand washing at the point of contact.

**This model is appropriate for these compliance application types:**

- Child Care Facilities
- Home Child Care
- Head Start Programs
- Early Education
- Care Homes
- Classrooms and Schools
- Food and Beverage Serving or Demonstration
- Waitress Stations
- Hospitality
- Catering Events
- Cafeterias
- Mobile Trailers
- Medical Exam Rooms
- Lab and Testing Facilities
- Trade Shows, etc.

#### Standard Features

- On-Demand Hot Water System
- Integrated ABS Countertop and Basin
- Phthalate Free Melamine Cabinet
- Keyless Lock
- Water Tanks: 5 Gal. Fresh and 6 Gal. Waste
- Liquid Soap Dispenser
- Swivel Casters, Front Locking
- Stainless Steel Cabinet Bottom
- Long Faucet Handles (ADA Compliant)
- NSF Certified
- GFCI Outlet Protection

#### Quick Connect Tanks



#### Minimum Operating Requirements

- Each sink must have grounded, dedicated 110V, 20A circuit breaker
- Dry, inside level surface
- If extension cord is used, cord must be 12/3, rated at 20A or higher
- Water meets EPA Standards (PH between 7.0 and 9.0)



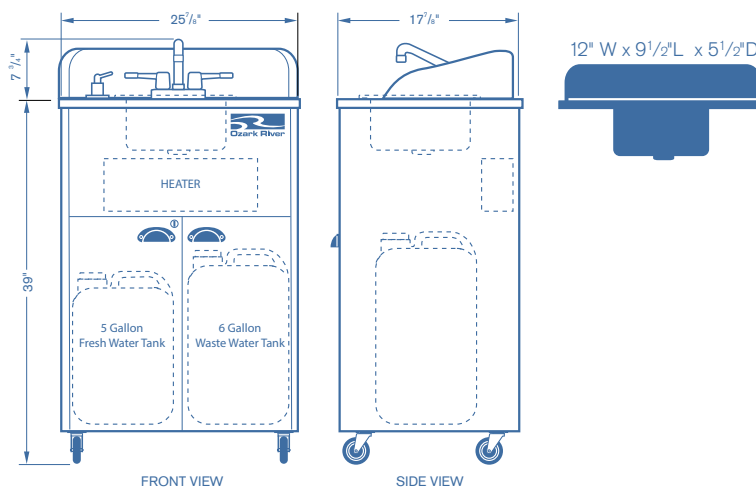
ADSTM-AB-AB1N

#### IMPORTANT:

Consult with your state and local environmental health official to confirm usage of portable sinks in place of plumbing.



\* Features White ABS countertop and basin. (Colors, styles and availability may change without notice.)



Model Number	ADSTM-AB-AB1N
Model Name	Premier
Number of Basins	Single
Basin Material	Integrated Black ABS
Basin Dimensions	12" W x 9.5" L x 5.5" D
Countertop Material	Integrated White ABS
Cabinet Dimensions	25.875" W x 17.875" D x 38" H
Cabinet Material	Phthalate, Lead Free Melamine
Product Weight	88 lbs.
NSF Certified	Yes
GPM	0.50
Fresh Water Tank	5 Gallon
Waste Water Tank	6 Gallon
Approx Hand Washings	40 qty. 15 second hand washings
Electrical Requirements	110V, 20A Dedicated Outlet and Breaker
Warranty	2 Years