

Premier with ABS Countertop and Basin

Hot Water Portable Hand Wash Sink



Integrity Distribution LLC • 1-866-663-1982 • www.OzarkRiver.com

Quick Guide

Use and Applications

Ozark River Portable Sinks® are designed to assist individuals and businesses comply with hand washing codes and regulations by placing hand washing at the point of contact.

This model is appropriate for these compliance application types:

- Child Care Facilities
- Home Child Care
- Head Start Programs
- Early Education
- Care Homes
- Classrooms and Schools
- Food and Beverage Serving or Demonstration
- Waitress Stations
- Hospitality
- Catering Events
- Cafeterias
- Mobile Trailers
- Medical Exam Rooms
- Lab and Testing Facilities
- Trade Shows, etc.

Standard Features

- On-Demand Hot Water System
- Integrated ABS Countertop and Basin
- Phthalate Free Melamine Cabinet
- Keyless Lock
- Water Tanks: 5 Gal. Fresh and 6 Gal. Waste
- Liquid Soap Dispenser
- Swivel Casters, Front Locking
- Stainless Steel Cabinet Bottom
- Long Faucet Handles (ADA Compliant)
- NSF Certified
- GFCI Outlet Protection

Quick Connect Tanks



Minimum Operating Requirements

- Each sink must have grounded, dedicated 110V, 20A circuit breaker
- Dry, inside level surface
- If extension cord is used, cord must be 12/3, rated at 20A or higher
- Water meets EPA Standards (PH between 7.0 and 9.0)



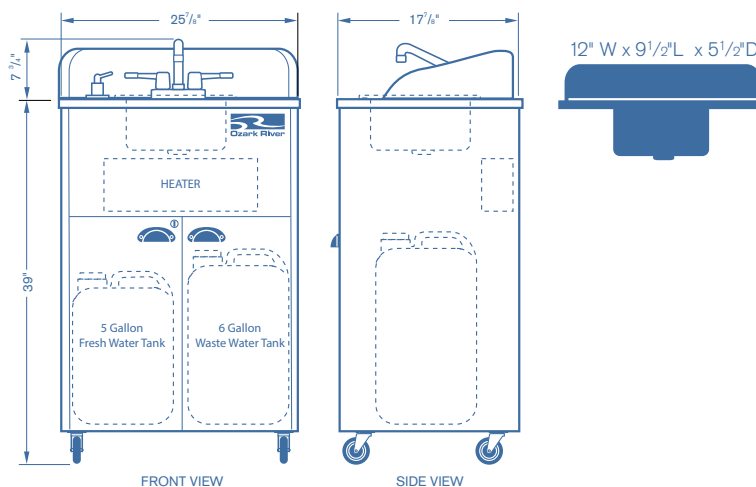
ADSTB-AB-AB1N

IMPORTANT:

Consult with your state and local environmental health official to confirm usage of portable sinks in place of plumbing.



* Features White ABS countertop and basin. (Colors, styles and availability may change without notice.)



Model Number	ADSTB-AB-AB1N
Model Name	Premier Splash
Number of Basins	Single
Basin Material	Integrated White ABS
Basin Dimensions	12" W x 9.5" L x 5.5" D
Countertop Material	Integrated White ABS
Cabinet Dimensions	25.875" W x 17.875" D x 38" H
Cabinet Color / Material	Blue Splash / Phthalate, Lead Free Melamine
Product Weight	88 lbs.
NSF Certified	Yes
GPM	0.50
Fresh Water Tank	5 Gallon
Waste Water Tank	6 Gallon
Approx Hand Washings	40 qty. 15 second hand washings
Electrical Requirements	110V, 20A Dedicated Outlet and Breaker
Warranty	2 Years